



Example Bar 2,4 m

## Contents

The Counter .....	2
Base Frame G-Flexx .....	2
Base Frame G-Flexx Mini .....	3
Connection of two or more G-Flexx .....	4
Adjusting base frames.....	5
Front Panels .....	6
Bartop.....	6
Front Banner/Brand Sign Front.....	7
Side Applications.....	7
Side Panels .....	8
Worktops .....	8
Accessories .....	9
Quiver Board .....	9
Bartop Tray .....	9
Hook in tray, large .....	10
Speedrack .....	10
Shelves Set .....	11
Bottle Display .....	11
Ice Box with Sliding Top Set .....	11
Slide Drawer.....	12
LED Light Bar RGBW.....	14
LED Light Bar .....	15
Worktop Light .....	15
Sliding door set .....	16
Sliding door lock.....	17
Bartop Extension.....	18
Water Station .....	20
Instruction RGBW Remote Controller Mi-Light FUT096.....	21
Electric components .....	24
Cleaning Instructions .....	24

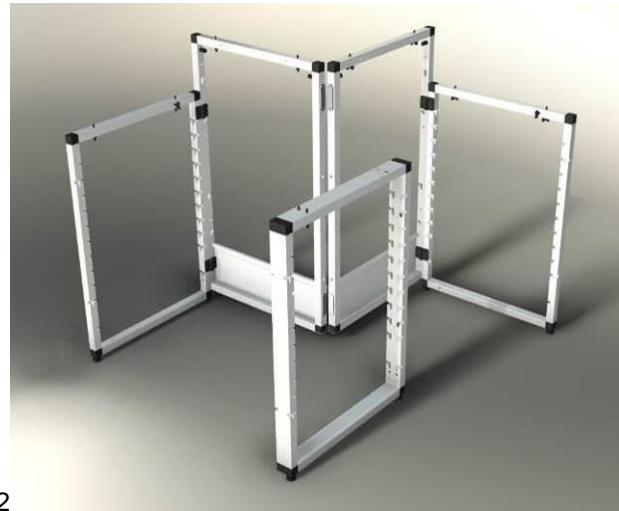
## The Counter



1

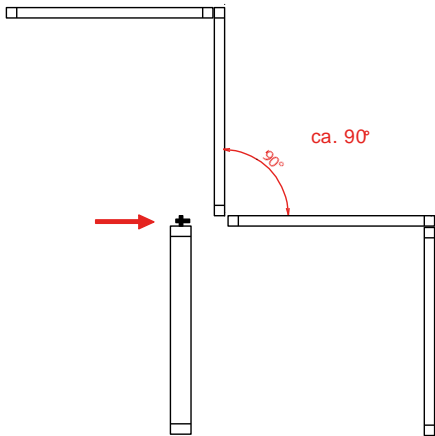
### Base Frame G-Flexx

(Item-no. fx-bm-...)



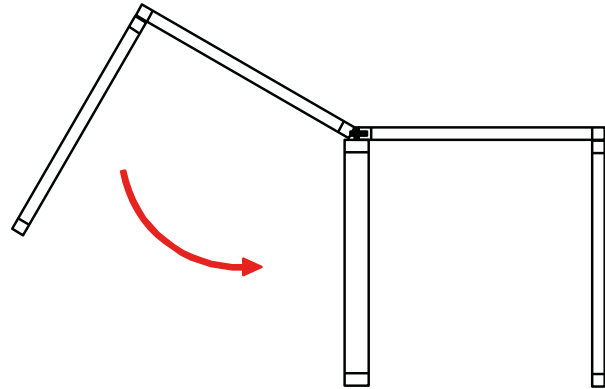
2

Place the base frame in an upright position and pull the front frames at an angle of 90° to each other.



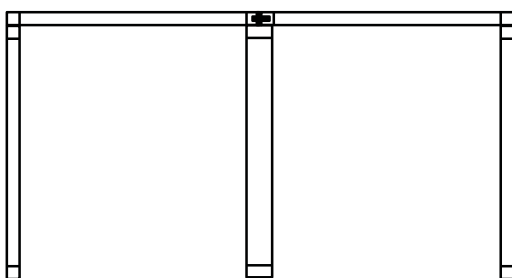
3

Put the middle frame with the LONG bolts in the holes of the right front frame.



4

Flap on the front frame completely.



5



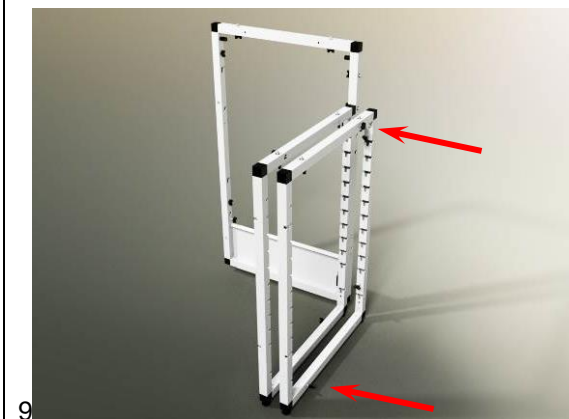
6





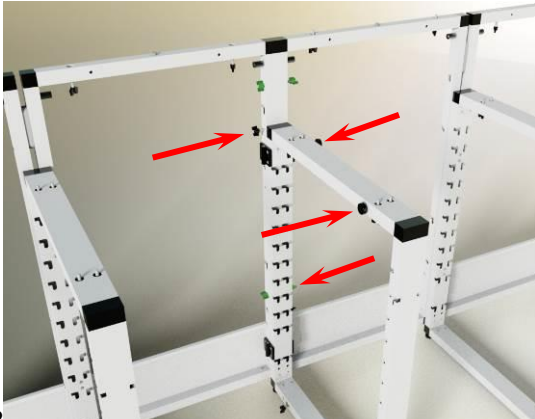
**Base Frame G-Flexx Mini**

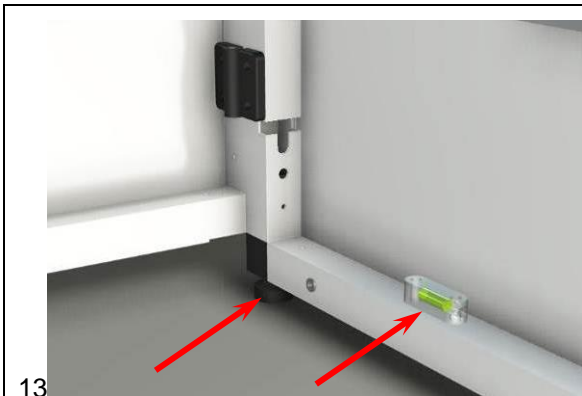
(Item-no. fx-bms-...)

Place the base frame in an upright position and pull the front frames at an angle of 90° to each other.



For transportation we advise to fix the second side frame at the other side frame with the two bolts.  
Unfasten the two screws for assembling the frame.

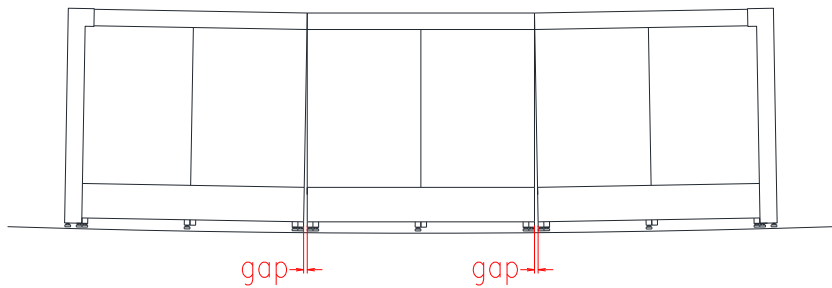
 <p>10</p>	<p>Connect the side frame with the front frame by screwing the wing bolts into the frame inserted nuts.</p>
 <p>11</p>	<p><b>Connection of two or more G-Flexx</b></p> <p>In each side tube of the front frame there are 4 wing bolts. Only one of the wing bolts in each side tube is used to connect the base frames.</p> <p><b>Use the black wing bolts for connecting front frames!</b></p>
 <p>12</p>	<p>Place the base frames side by side. If the height varies, make sure the leveling feet of both base frames are in the same position. The <b>lowest</b> wing bolt of the <b>right</b> G-Flexx fits into the insert nut of the left G-Flexx. The <b>second</b> wing bolt from the top of the <b>left</b> G-Flexx is fitting into the insert nut of the right G-Flexx. If the front frame is connected, connect the side frames the same way.</p>



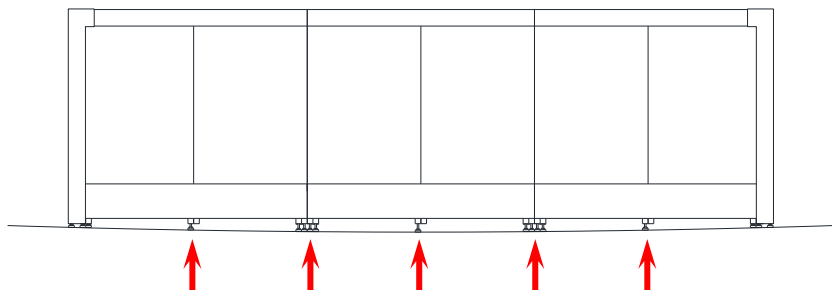
13

### ***Adjusting base frames***

The bar will tolerate if it is not set up exactly in level. But in order to have a good fitting of all parts a larger bar should be set up straight. Otherwise small gaps between the front panels can appear. Align the frame with the help of the built-in small water balance by adjusting the leveling feet.


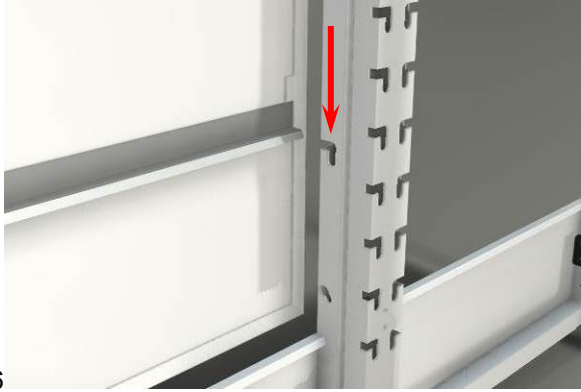
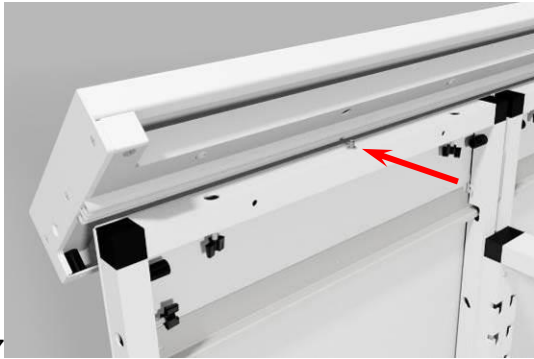



**Floor lower in the middle of the bar**

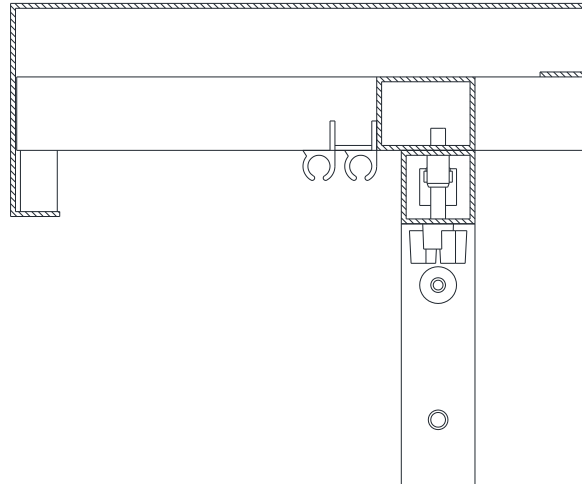


14

**Adjust the leveling feet to remove gaps.**

 <p>15</p>	<p><b>Front Panels</b> (Item-no- xx-sc-...)</p> <p>Hook in the Side Panels/Front Panels in the frame as shown. The front panels must be into position before the bar top is mounted.</p>  <p>16</p>
 <p>17</p>	<p><b>Bartop</b> (Item-no. xx-ct...)</p> <p>Place the bartop on top of the front frame. A position bolt on the upper tube of the front frame must fit into a hole on the underside of the bartop.</p>
 <p>18</p>	<p>If the bartop is in position fix it to the frame by tightening the screws.</p> <p><b>ATTENTION:</b> <i>Please hold on the bartop with one hand.</i></p> <p>If several bartops are used, they can be linked together. There are wing screws underneath the bartop on the customer side.</p>

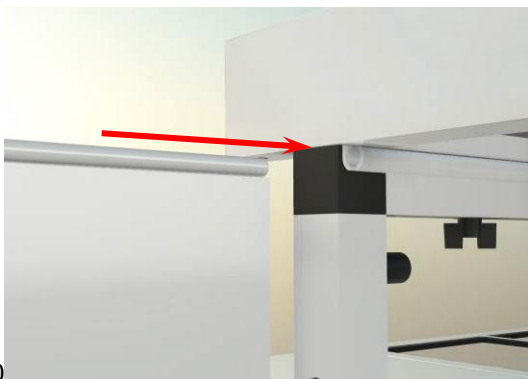
19



outside

inside

20



### **Front Banner/Brand Sign Front**

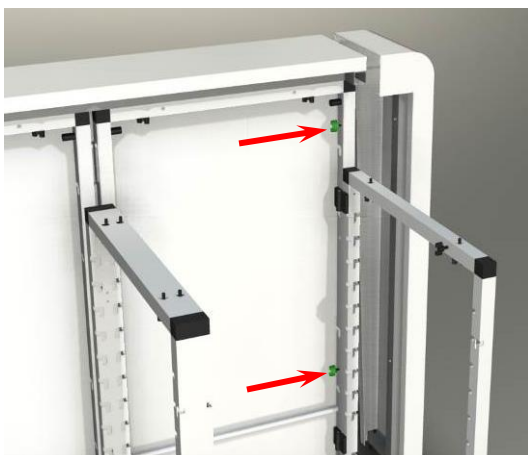
(Item-no. xx-fb-... xx-s1-...)

Slide the front banner/brand sign with the piping in the slot underneath the bartop.

#### **Banner: Transport and storage**

- Remove weighting rod from hemstitch and store separately in felt bag
- Roll up banner on tube without folds
- Print area to the outside
- Hemstitch inside, piping outside
- Protect print area outside
- Fix the banner
- Use felt bag

21



### **Side Applications**

(Item-no. xx-sfa...)

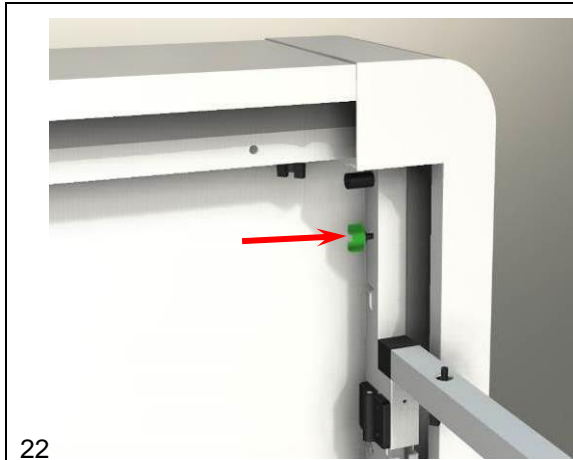
The side application forms the lateral ending of the bar front.

There is one side application to use on the left side and one to use at the right side of the bar.

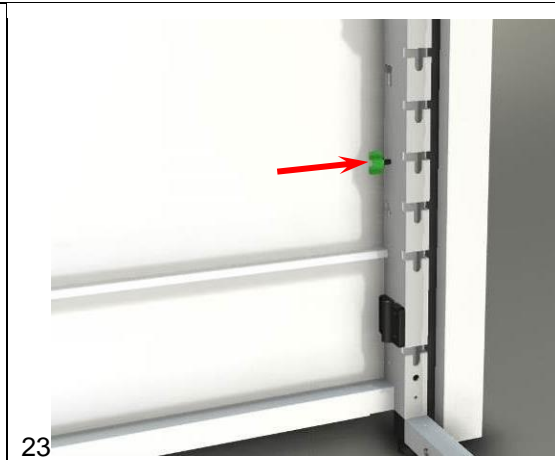
The upper side fits over the end of the bar top, the vertical part is connected to the front frame with wing bolts.

#### **Notice:**

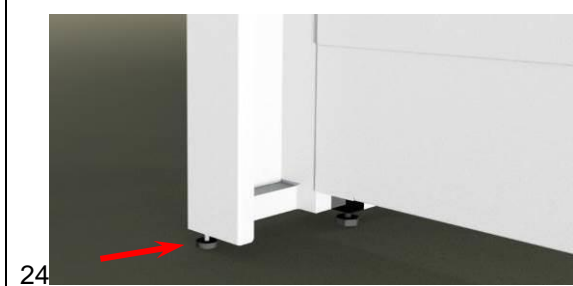
**Use the green wing bolts to connect the side application to the front frame.**



22

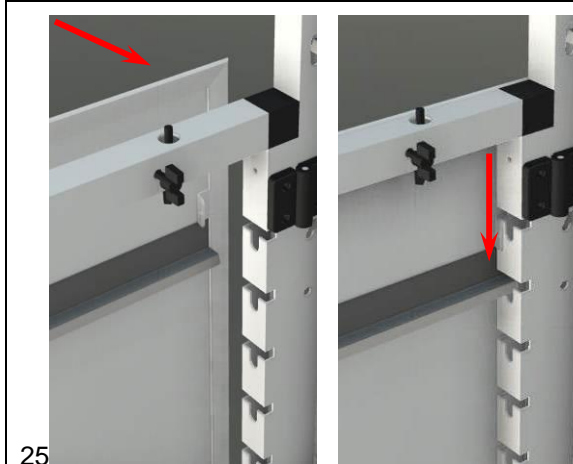


23



24

Check the leveling feet of the side applications when the complete bar is assembled.  
It is necessary that they touch the floor.  
If not, screw the feet to adjust the height.

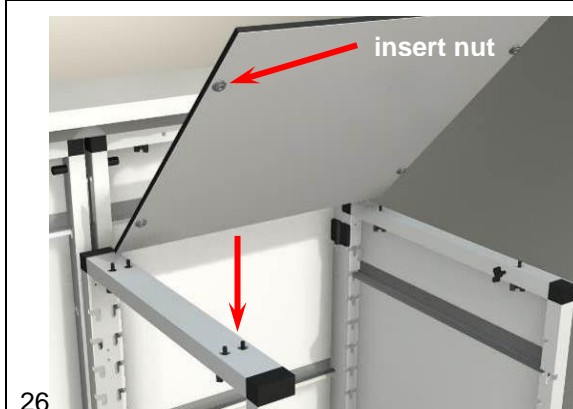


25

### Side Panels

(Item-no. xx-sc-...)

The Side Panels/Front Panels can be used for covering the front, for covering the backside of the base frames and for covering the sides of G-Flexx and G-Raxx modules.  
The stainless steel rails are hooked into the gaps/milling grooves in the tube as shown.



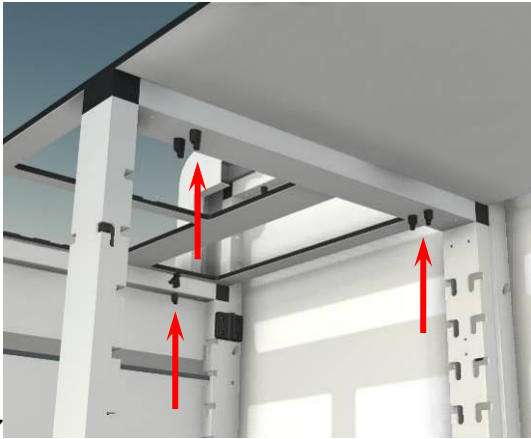
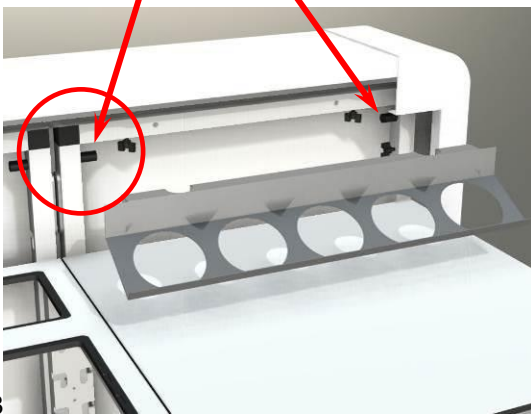
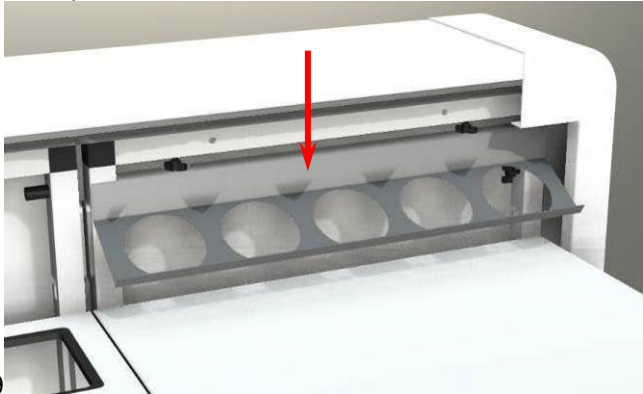
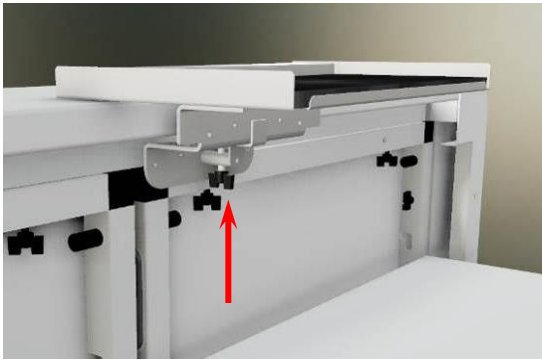
26




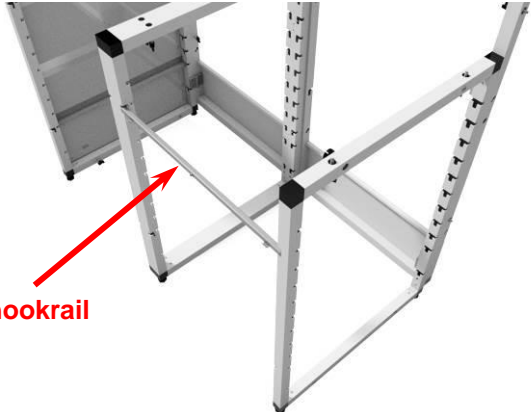
### Worktops

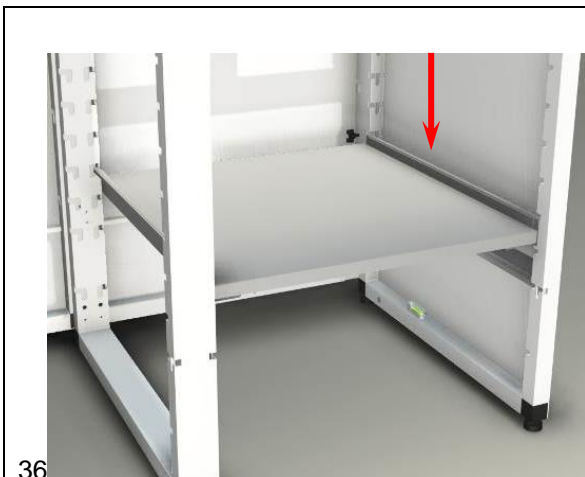
(Item-no. xx-wt...)

The insert nuts at the underside of the worktop must fit into the holes of the horizontal upper tube of the base frame.



 <p>27</p>	<p>Make sure every nut fits into the holes before fully tightening all screws.</p> <p><b>If using a sliding door set, you have to attach the upper rail before fixing the worktop.</b></p>
	<p><b>Accessories</b></p>
<p>The rear edge of the quiver board fits over the black bolts of the frontframe.</p>  <p>28</p>	<p><b>Quiver Board</b> (Item-no. xx-zb4 &amp; xx-zb4.1)</p> <p>Fix the quiver board as shown.</p>  <p>29</p>
 <p>31</p>	<p><b>Bartop Tray</b> (Item-no. xx-zb26)</p> <p>The tray is attached to the worktop providing a higher level for the preparation of the drink in front of the customer. The tray holds a barmat 310 x 150 mm and can be branded individually. Fix the tablet by screwing the wing bolt from below.</p>

 <p>32</p>	<p><b>Hook in tray, large</b> (Item-no. xx-zb25)</p> <p>The tray is hooked to the frontframe of the G-Raxx/G-Flexx instead of the quiverboard. The tray is providing a higher level for the preparation of the drink, still giving easy access to the GN containers in the worktop. The tray holds two barmats 310 x 150 mm or one barmat 500-600 mm.</p>
 <p>33</p>	<p><b>Speedrack</b> (Item-no. xx-zb10)</p> <p>There are two positions the speedrack can be used. If it used on the side the hookrail must be removed and the speedrack must be mounted after the side/frontpanel is mounted and before the worktop is mounted. If the speedrack is used on the front, the hookrail is set into gaps/milling grooves in the vertical tube of the base frame.</p>
 <p>34</p>	 <p>35</p> <p>hookrail</p>



36

**Shelves Set**

(Item-no. xx-zb7.8)

**Corner Rail**

(Item-no. xx-zb7)

The corner rails are placed in the patented milling groove. They can be used in combination with a shelf, bottle shelf, and glassware basket.

**Shelf**

(Item-no. xx-zb8)

Place the shelf on the corner rails. Insert shelf with cornered edge facing you.



37

**Bottle Display**

(Item-no. xx-zb1)

For using the bottle display the corner rails are needed. Put the display onto the rails. You can use the bottle display without and with shelf.

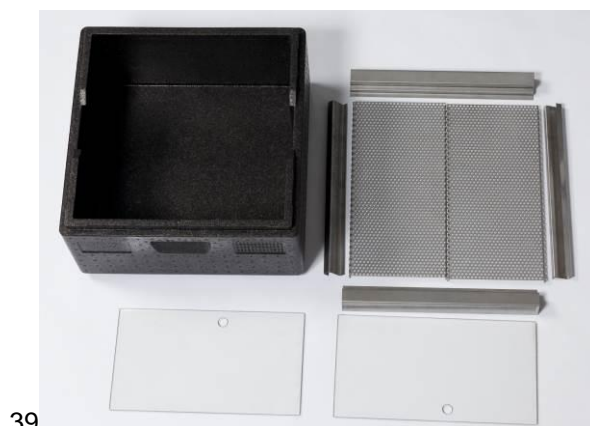


38

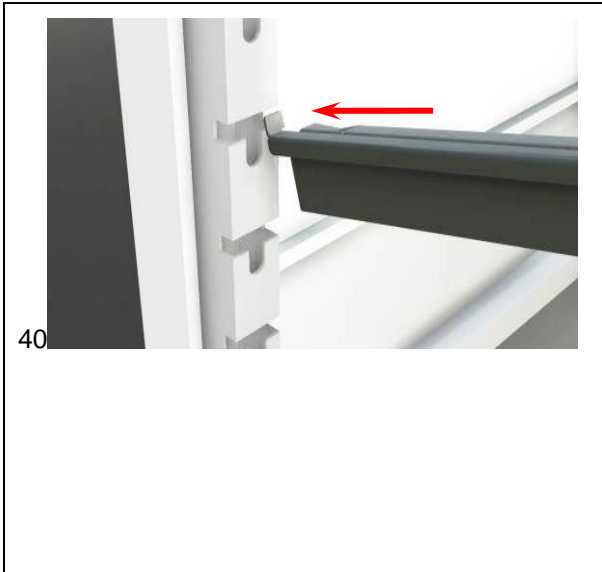
**Ice Box with Sliding Top Set**

(Item-no. xx-zb14.2)

If the Sliding Top Set isn't assembled, combine the parts like shown in the photo.



39



**Slide Drawer**

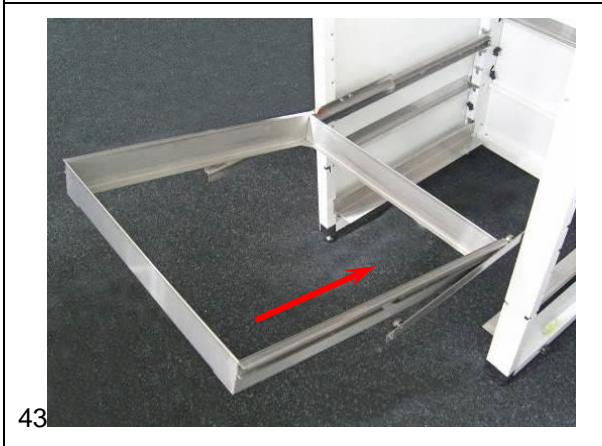
(Item-no. xx-zb5)

There are left and right drawer rails.  
 The rail has a little "nose" on the rear end of the rail.  
 The rear end must be insert first by holding the rail a little lower at the end and shove just the rear end into the milling groove of the vertical tube at the back of the base frame. The front end must be still free.  
 Then hold the rail horizontal and turn it sideways towards the vertical tube of the base frame until you can set the free end into the milling groove.

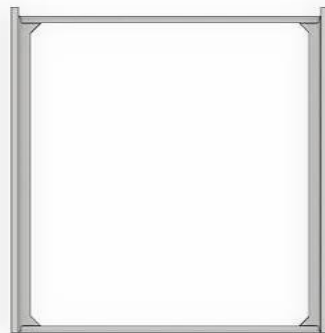
*Notice: It is supposed to go very easy, don't use force, it is just a matter of the right handling.*

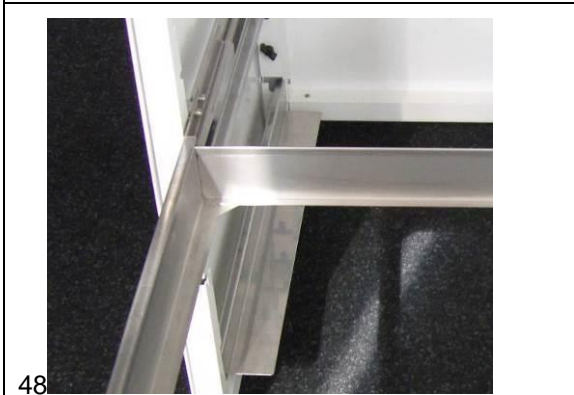
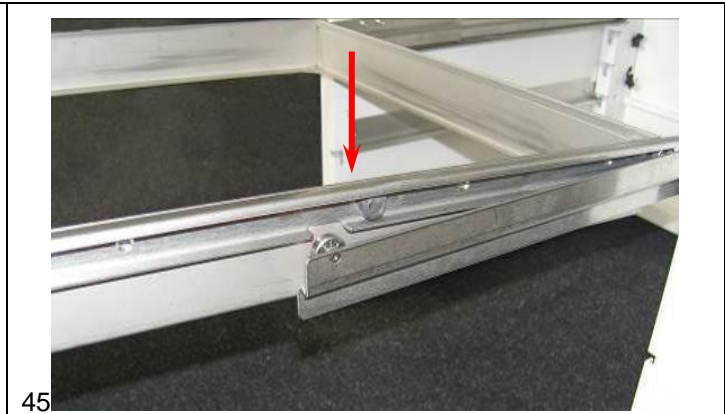


Pull out the drawer rails.



Put in the drawer frame as shown.



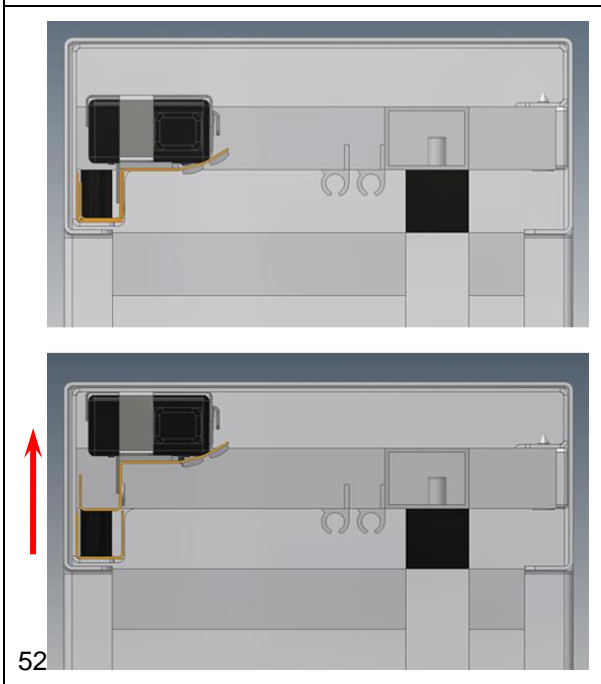
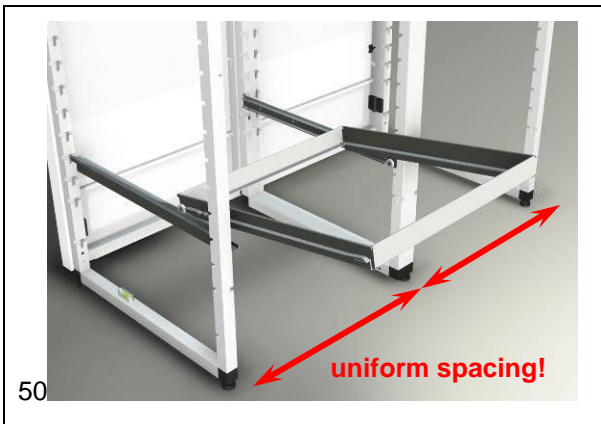


Push and pull the drawer to check the movement. If the drawer does not slide correctly, check the position of the base frame, the drawer rails and the drawer frame.



**Attention!!!**  
If there more than one drawer, please use only one drawer at time.

**Warning!**  
The drawers are designed for max. 25 kg.



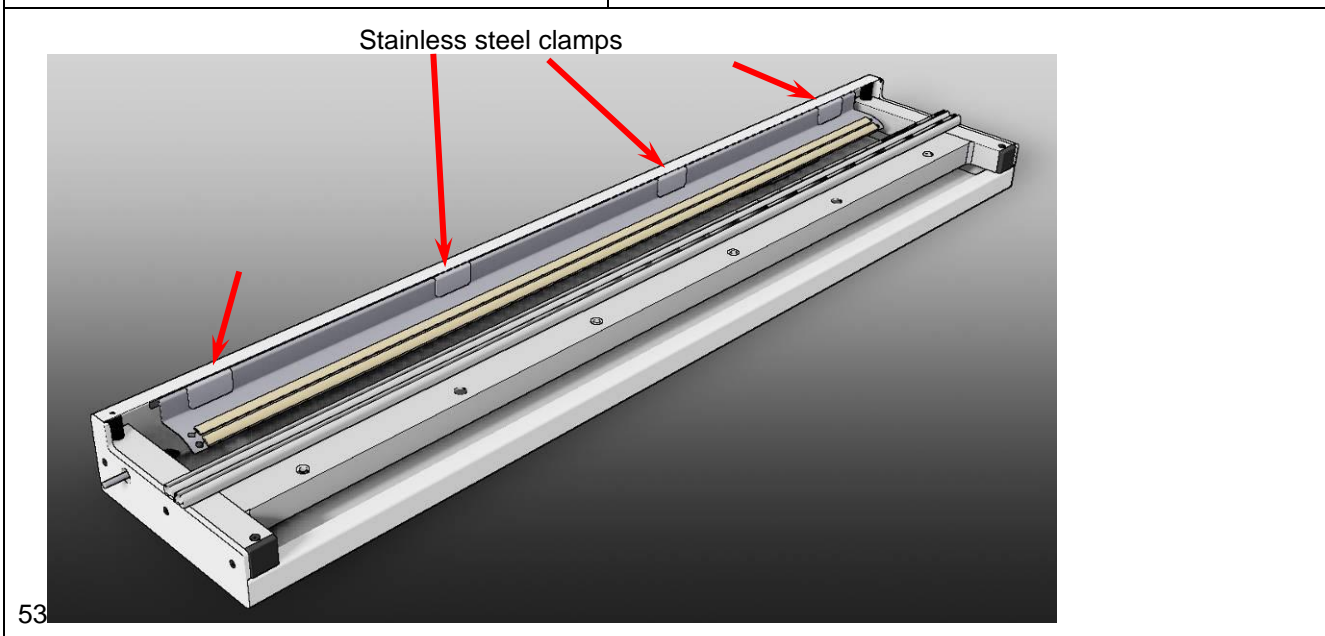
**LED Light Bar RGBW**  
 (Item-no.xx-zb30-600 & xx-zb30-1200)

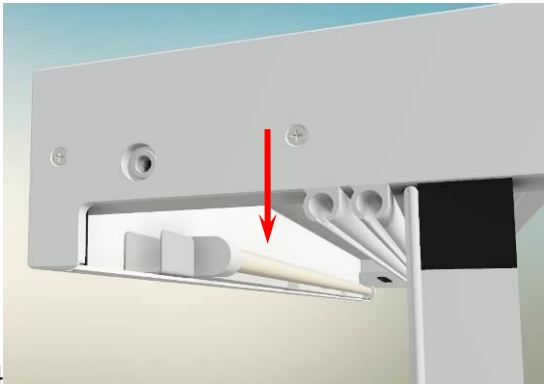

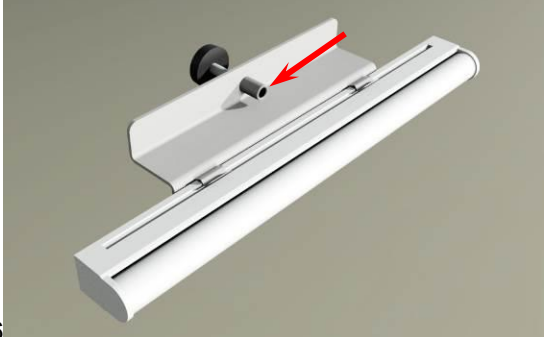
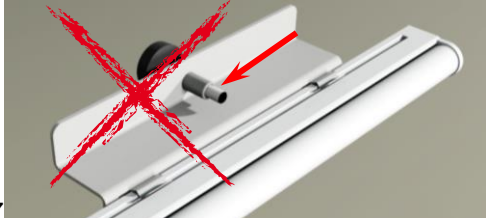
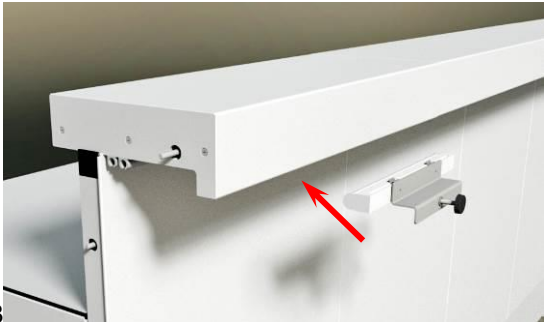
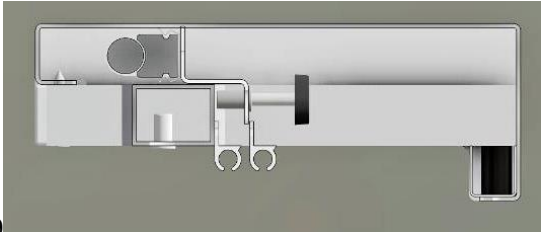
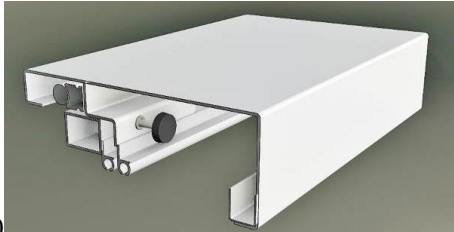
The bartop is available with a LED RGB light bar. This lamp is mounted below the bartop and lit on the front. For remove you have to push the LED holder to the top.

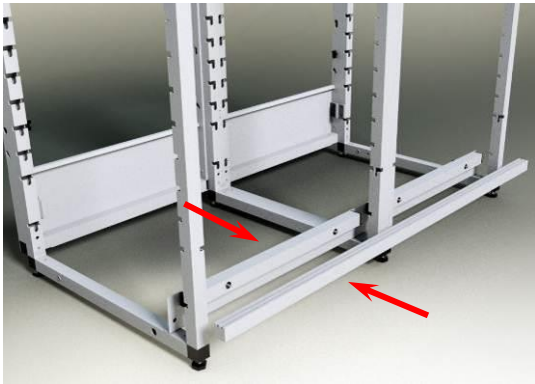
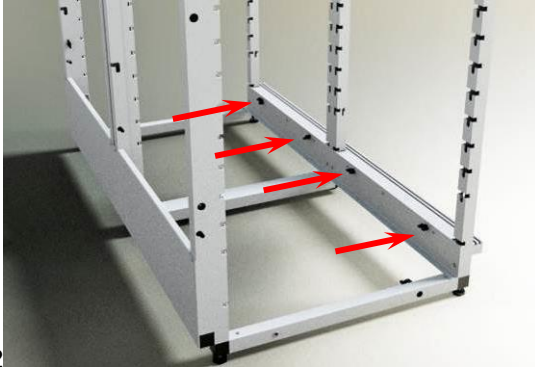
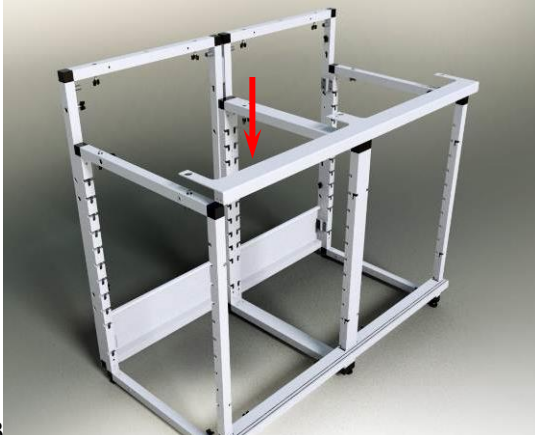
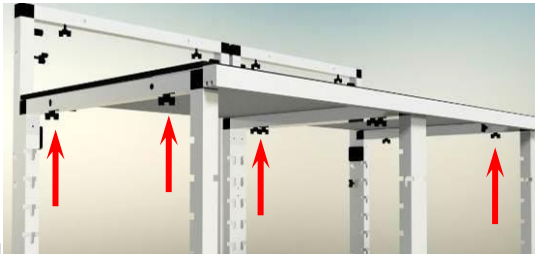
Underneath the bartop a number of stainless steel clamps are mounted to the lower front edge of the bartop (on the inside).

For assembly the LED holder just slides into the space of these clamps, an additional clamp applies pressure to the LED holder and keeps it in place during handling.

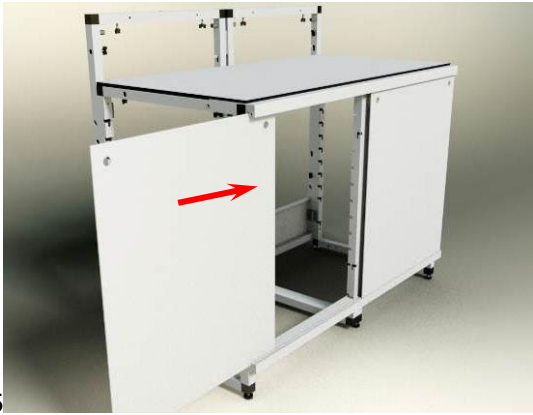



**Instructions how to use the LED-RGB Remote Controller you find at the end of this instructions.**



 <p>54</p>	<p><b>LED Light Bar</b> (Item-no. xx-zb23-600 &amp; xx-zb23-900)</p> <p>The bar top is available with a LED light bar, warm white. This lamp is mounted under the bar top and lit on the front. There are profiles underneath the bar top. Plug the light bar over these profiles. By turning the lamp, the lighting can be dimmed.</p>
 <p>55</p>	<p><b>Worktop Light</b> (Item-no. xx-zb33)</p> <p>The lamp is plugged in and secured underneath the bartop and illuminates a part of the worktop.</p>
 <p>56</p>	<p>Check the position of the screw before mounting the lamp. The screw has to be inside the bushing.</p>  <p>57</p>
 <p>58</p>	<p>Plug the lamp underneath the bartop (customers side). Push the lamp above the two slots and screw the bolt to secure the lamp.</p> <p><b>Note:</b> <i>The worktop light can only be used when no bar top extension is mounted.</i></p>
 <p>59</p>	 <p>60</p>

 <p>61</p>	<p><b>Sliding door set</b> (Item-no. fx-sd-) Please mount the sliding door set before you fix the work tops. Push the bottom rail from the outside at the base frame and the corresponding tube from inside.</p>
 <p>62</p>	<p>Connect the bottom rail and the corresponding tube by screwing the 4 wing bolts.</p>
 <p>63</p>	<p>Put the upper rail on the base frame as shown.</p>
 <p>64</p>	<p>Fix the upper rail at the base frame by attaching the worktops. Don't forget to screw the wing bolts.</p>

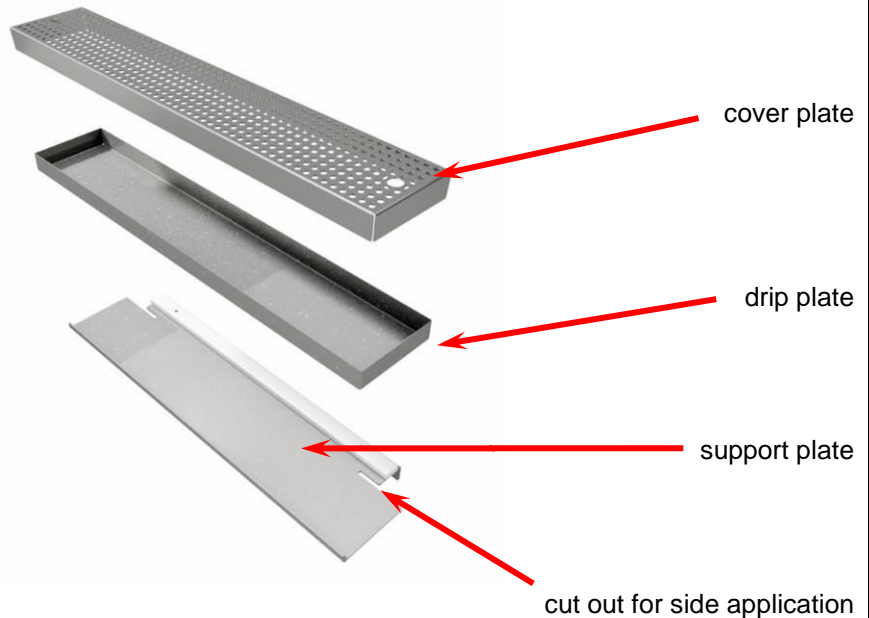


 <p>65</p>	<p>Push the doors from the outside into the grooves of the rails.</p>
 <p>66</p>	<p><b>Sliding door lock</b> (Item-no. xx-sdl) For mounting the lock, the door in the front groove has to take position at the left side, the door in the rear groove at the right. Plug the lock into the two holes of the doors. The key must be at the right.</p>
 <p>67</p>	 <p>68</p>

### **Bartop Extension**

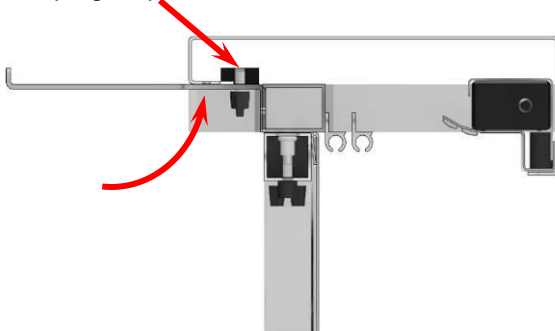
(Item-no. xx-zb31)

The Bartop Extension consists of:



81

clamping strip



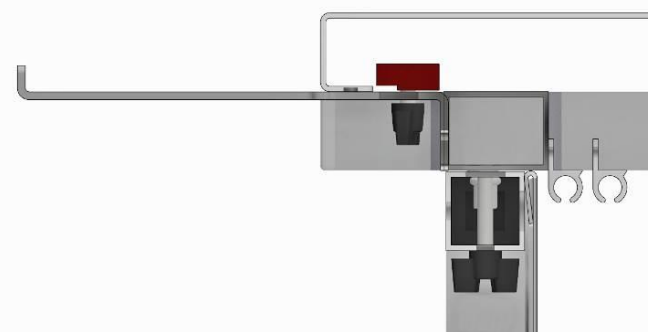
82

A clamping strip is mounted to the support plate.

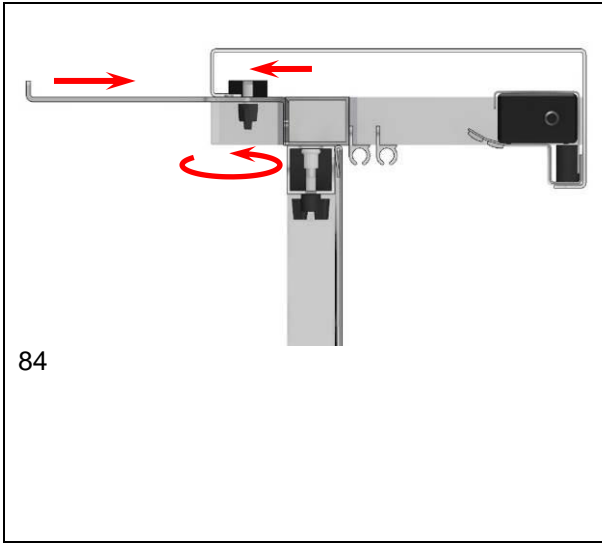
*If standard side applications are used, install the outer bartop extensions first.*

To fasten the support to the bartop, untighten the screws of the clamping strip a little bit and push the clamping strip to the outer end of the support plate.

Push the support plate in an upward motion against the lower side of the bartop.

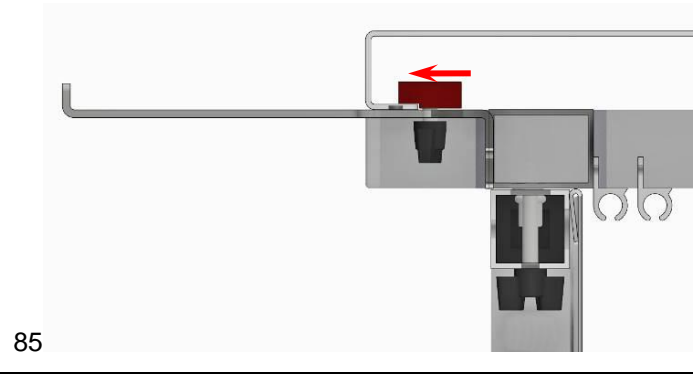


83

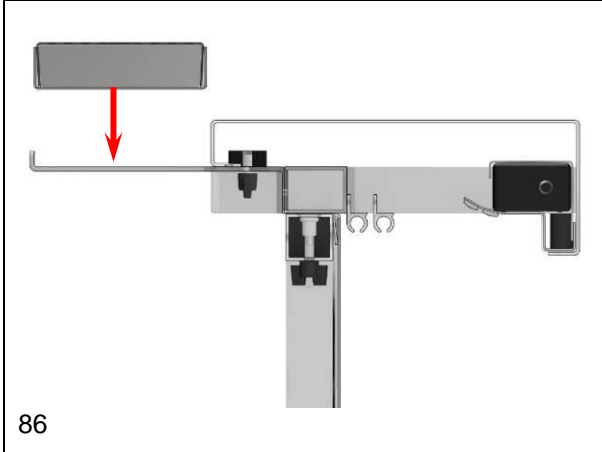


84

Now push the support plate against the frontframe while pulling the clamping strip by the screws in your direction. The clamping strip now moves into the bartop. Tighten screws to fix it to the bartop.

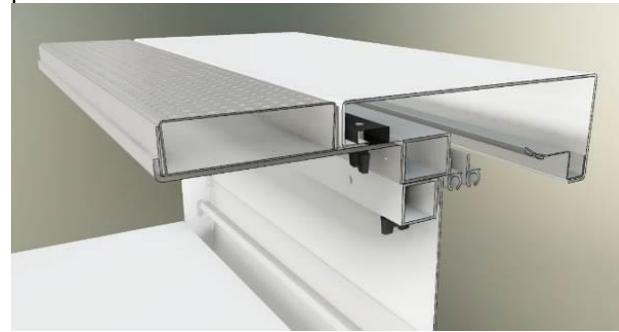


85



86

Put the drip plate with cover plate on top of the support plate.



87



## Water Station

Place the sink and the water tap in the countertop.

Connect the blue hose to the fresh water tank and the black hose to the waste water tank.

### Water tanks

The fresh water tank has a volume of 19l and is recognizable by the blue cap.  
The waste water tank has a volume of 20l and a black cap.  
Make sure that the tanks are not mixed up.

#### NOTE:

*Dry running of the pump does not cause damage to the pump if the dry run does not last longer than 10 minutes. A longer period than 10 minutes can lead to a defect.*

#### ATTENTION:

*Keep the pump completely free of water, if the pump is stored or transported in surroundings where temperature gets below 0 C°.*

*Damage caused by freezing is possible!!!*

### Troubleshooting

#### Failure to Prime - Motor operates, but no pump discharge:

- Restricted intake or discharge line. Open all line valves, check for "jammed", check valves, and clean clogged lines.
- Air leak in intake line.
- Punctured pump diaphragm.
- Defective pump check valve.
- Crack in pump housing.
- Debris in check valves.

#### Motor Fails to Turn On:

- Pump or equipment not plugged in electrically.
- Loose wiring connection.
- Pressure switch failure.
- Defective motor or rectifier.
- Frozen cam/bearing.

#### Pump Fails to Turn Off after Discharge valves are Closed:

- Depletion of available liquid supply.
- Punctured pump diaphragm.
- Discharge line leak.
- Defective pressure switch.
- Insufficient voltage to pump.
- Debris in check valves.

#### Low Flow and Pressure:

- Air leak at pump intake.
- Accumulation of debris inside pump and plumbing.
- Worn pump bearing (excessive noise).
- Punctured pump diaphragm.
- Defective rectifier or motor.
- Insufficient voltage to pump.

#### Pulsating Flow - Pump Cycling On and Off:

- Restricted pump delivery. Check discharge lines, fittings, valves and spray nozzles for clogging or for clogging or undersizing.

## Instruction RGBW Remote Controller Mi-Light FUT096

### Programming the hand-held transmitter on the RGBW controller

Multiple RGBW controllers can be programmed into the 4-channel hand-held transmitter distributed across the 4 channels (zones).

#### Programming:

Switch off the power supply to the controller concerned and then switch it back on again. If the controller is not yet programmed, the LEDs light up red, otherwise, they show the color last set. Press the ON button of the corresponding channel within 3 secs. If the LED flashes repeatedly, the controller is coupled to the remote control.

Follow the same procedure to program additional controllers into the same channel of the remote control.

#### Deleting:

Set the LED to a color and switch off the power supply to the controller concerned and then switch it back on again. Press the ON button of the corresponding channel within 3 secs. If the LED flashes repeatedly, the controller has been deleted from the remote control.

The procedure for deleting a controller from a channel having multiple controllers is the same, except that only the power supply to the controller concerned is interrupted.

#### Control

Pressing the ON button for a longer time switches the programmed light to white.

The ON button is used to switch all zones to white and synchronize them at the same time.

Every time the program key M is pressed, the following fixed color programs (scenes) are selected:

**1:** *yellow-green-blue-violet-red color sequence*

**2:** *pulsating white LED*

**3:** *pulsating red-green-blue-white*

**4:** *color change red-green-blue-yellow-violet-turquoise-white*

**5:** *color change red-green-blue-yellow-violet-turquoise-white with brightness adjustment*

**6:** *pulsating red, followed by 3x flashing red*

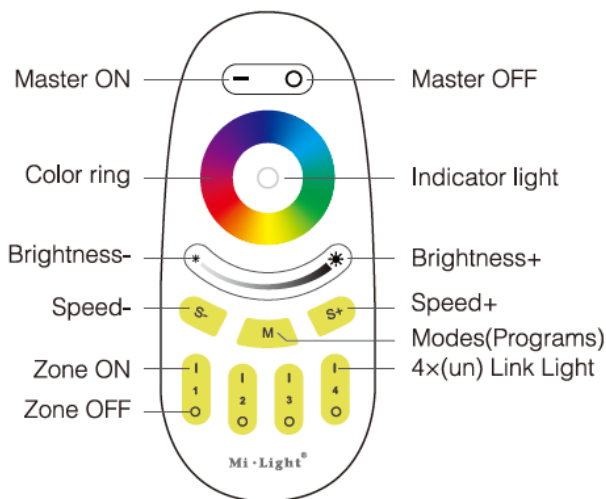
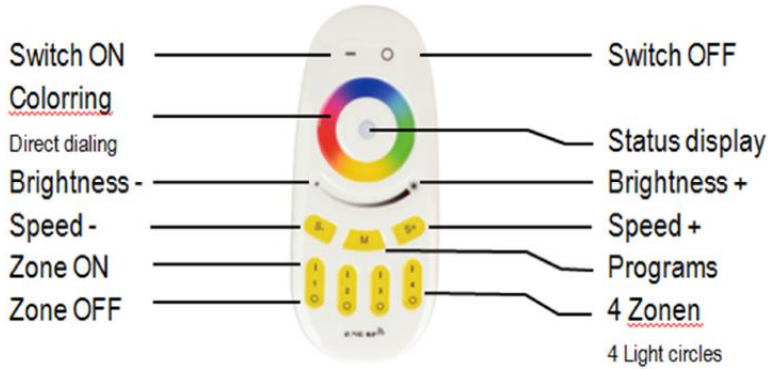
**7:** *pulsating green, followed by 3x flashing green*

**8:** *pulsating blue, followed by 3x flashing blue*

**9:** *combinations of pulsating and flashing color change*

**Note:** Due to the various apps available, deviations in operation and individual functions are possible.

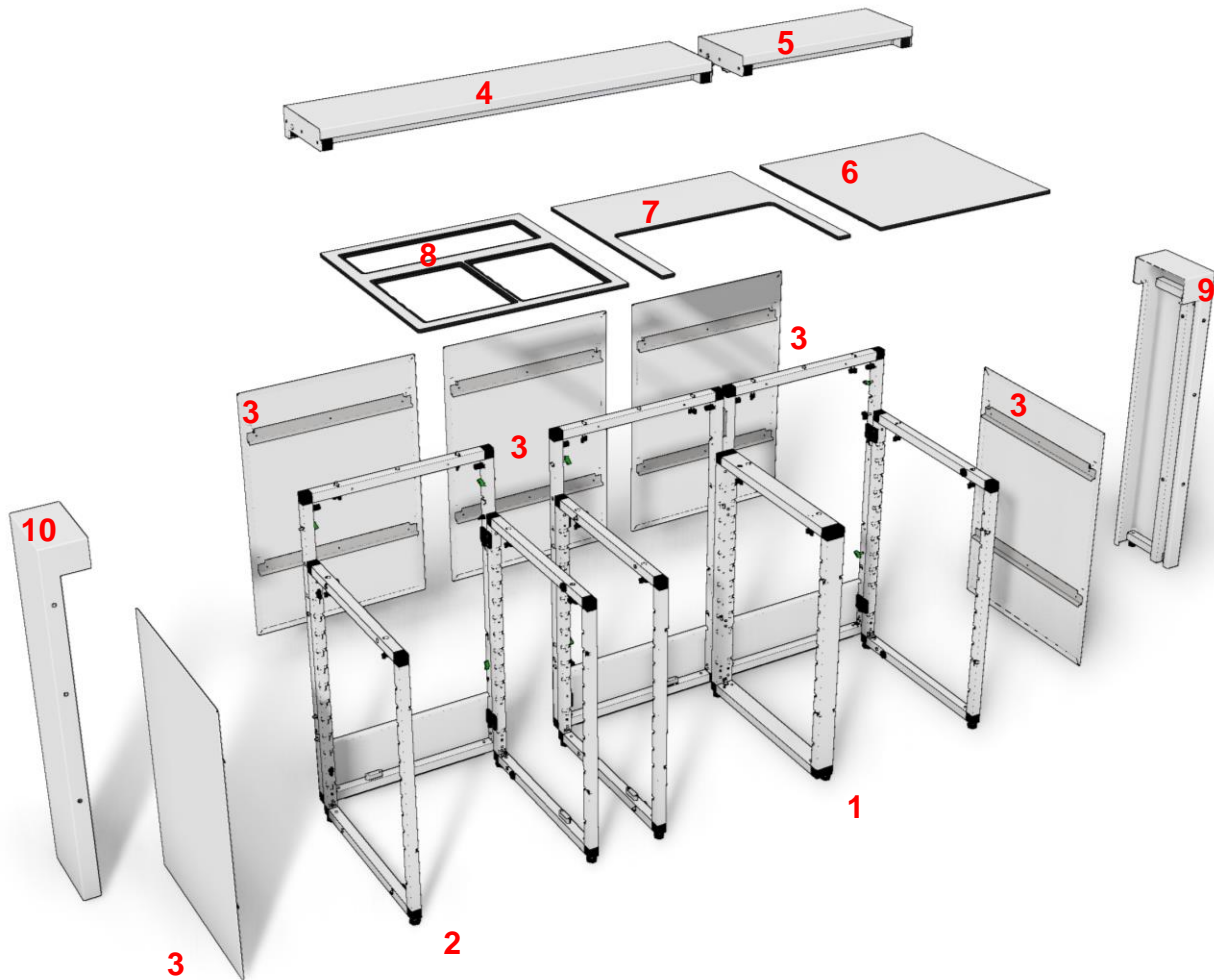
**Control panel on hand-held transmitter**



**Products Key Diagram**

**Remark:** Hold "I" to get white mode. Under white mode, press 'S-' to get warm white, press 'S+' to get cool white. Under color mode, press 'S+/S-' for saturation control. When press 'M', S+/S- can adjust the speed of the dynamic modes. To dim all RGBW lights at once or change the color, frist press "Master ON". to do this with individual lights, frist press "Zone ON". secondly, choose the color or brightness according to the color ring or brightness ring.

Exploded view  
Example



- 1: G-Flexx Basic Element
- 2: G-Flexx Mini Basic Element
- 3: Side Panels/Front Panels
- 4: Bartop 1200
- 5: Bartop 600
- 6: Work Top 2-1
- 7: Worktop 2-5
- 8: Worktop 2-2
- 9: Side Application left
- 10: Side Application right

## Electric components

***If the bar is used outside without covering by a tent or roof don't use the electric components like water pump and light while it is raining. Make sure the bar is not connected to the electric power supply.***

## Cleaning Instructions

### ***Paint surface***

Cleaning with dishwashing and water or plastic cleaner or glass cleaner

***ATTENTION: Don't use abrasive or solvent!***

For little scratches use car polish paste.

### ***Digitally imprinted materials***

Cleaning with dishwashing and water or plastic cleaner or glass cleaner

***ATTENTION: Don't use abrasive or solvent!***

### ***Work tops***

Cleaning with dishwashing and water or plastic cleaner or glass cleaner

***ATTENTION: Don't use abrasive or solvent!***

### ***Interiors stainless steel***

Cleaning with dishwashing and water or in the dishwasher

### ***Bags of felt***

Clean the bag in the washing machine with the following settings: 30°C, program "wool", skid by 400 rotations. Afterwards dry in air.